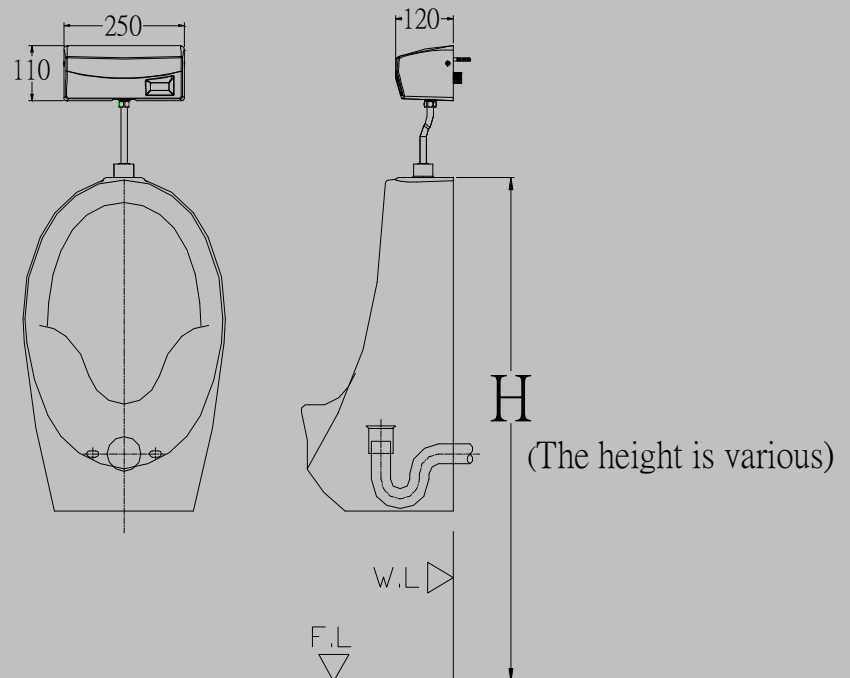


## UF508AC Wall Mounted Urinal Flusher

### Spec. & Features



- ◆ Infrared Sensor : Automatic Operation
- ◆ Stable performance, infrared sensor performs perfectly even in the sunlight or any light.
- ◆ Infrared Sensor Range : Adjustable 30cm ~ 70cm
- ◆ Power Source : AC110V or AC220V
- ◆ Power Consumption : 0.3W (Idle), 6W (In use)
- ◆ Two Step Automatic Wash to Keep Urinal clean
- ◆ Pre Flush Time : 1 Second
- ◆ Main Flush Time Adjustment Settings : 2.4.6.8.10.12.14.16 Sec
- ◆ 3 Second Arming Delay
- ◆ PF 1/2" Control Stop Valve
- ◆ 1/2" Outlet Tube
- ◆ Spud Coupling and Flange for 1/2" Top Spud
- ◆ Operating Water Pressure : 10 to 100 PSI
- ◆ Easy to Install and Maintain
- ◆ Outline Dimension : 11(L)\*25(W)\*12(D)cm
- ◆ Warranty : 1 year



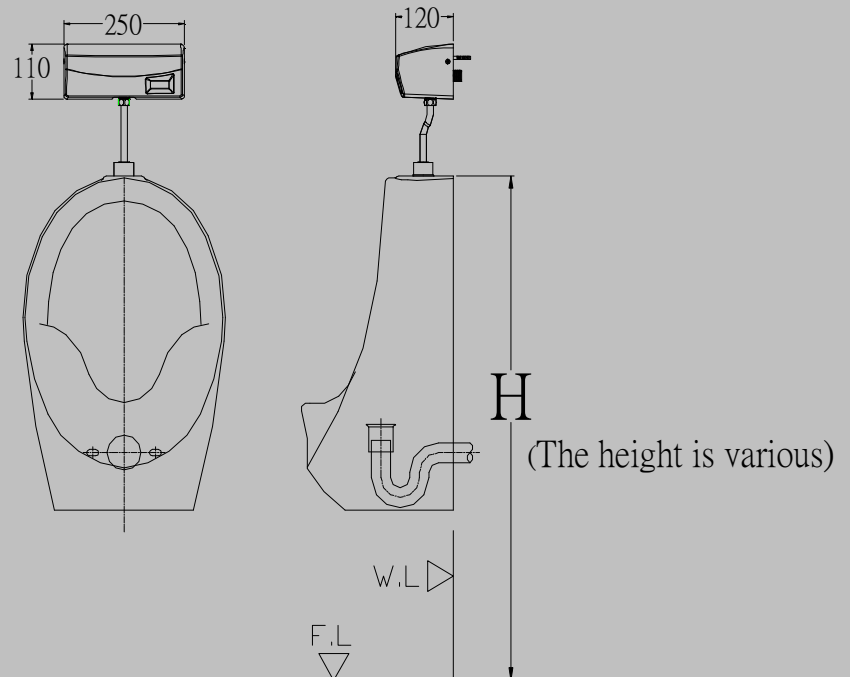
unit : mm

## UF508DC Wall Mounted Urinal Flusher

### Spec. & Features



- ◆ Infrared Sensor : Automatic Operation
- ◆ Stable performance, infrared sensor performs perfectly even in the sunlight or any light.
- ◆ Infrared Sensor Range : Adjustable 30cm ~ 70cm
- ◆ Battery Power: DC6V (AAX4)
- ◆ Battery Life : 3 Years ( Based on 3000 cycles per month)
- ◆ Low Battery Indicator Light
- ◆ Two Step Automatic Wash to Keep Urinal clean
- ◆ Pre Flush Time : 1 Second
- ◆ Main Flush Time Adjustment Settings : 2.4.6.8.10.12.14.16 Sec
- ◆ 3 Second Arming Delay
- ◆ PF 1/2" Control Stop Valve
- ◆ 1/2" Outlet Tube
- ◆ Spud Coupling and Flange for 1/2" Top Spud
- ◆ Operating Water Pressure : 10 to 100 PSI
- ◆ Easy to Install and Maintain
- ◆ Outline Dimension : 11(L)\*25(W)\*12(D)cm
- ◆ Warranty : 1 year



unit : mm