

Solenoid Valve (LatchingType)

Spec. & Features

Model : SV270DC

Power Source : DC6V Lithium Battery or Alkaline Battery(AASize)

Voltage Range : DC4.8V~DC6.5V

Current Consumption : DC500mA(Max)

pulse (ms): on 25 ms / off 15 ms

Power Consumption : 3W (Max)

Flow Rate (1kgf/cm²) : 16L/min(Minimum)

Water Pressure : 0.5 ~ 7.5Kgf/cm²

Ambient Temperature Range : 4°C ~ 50°C

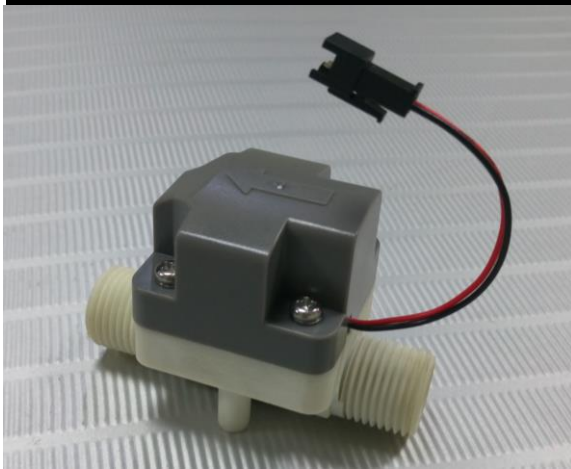
Ambient Humidity Range : 90% RH

Coil Resistance : 12Ω

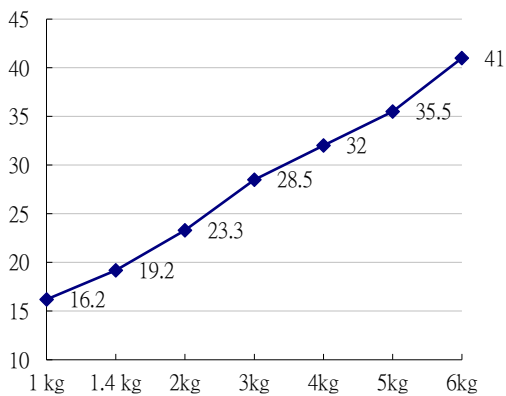
Mechanic Life : 500000 Cycles

Pressure Stand : 35Kgf/cm² , 1 minute

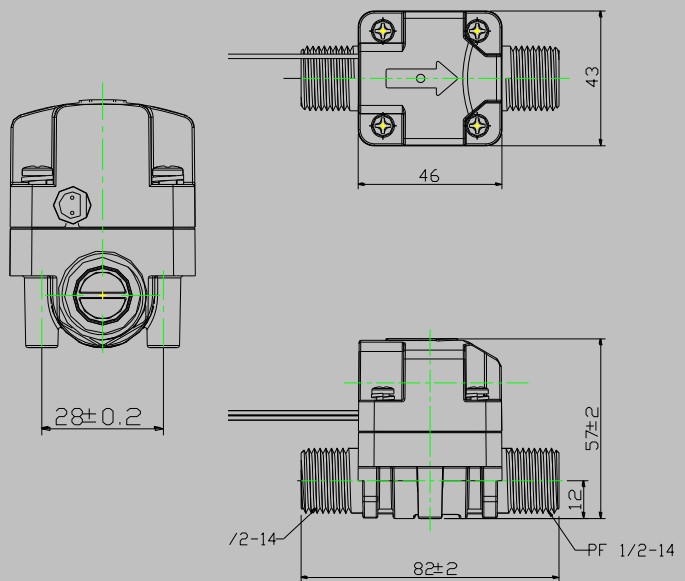
Outline Dimension : 43mm*82mm*57mm



Q(L/min)



P(Kgf/cm²)



Unit:mm