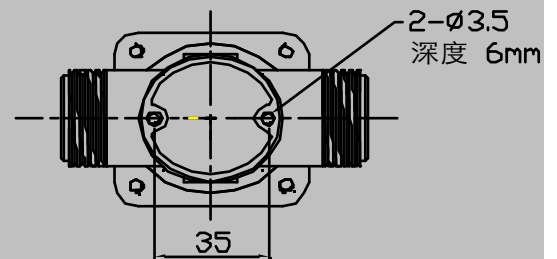
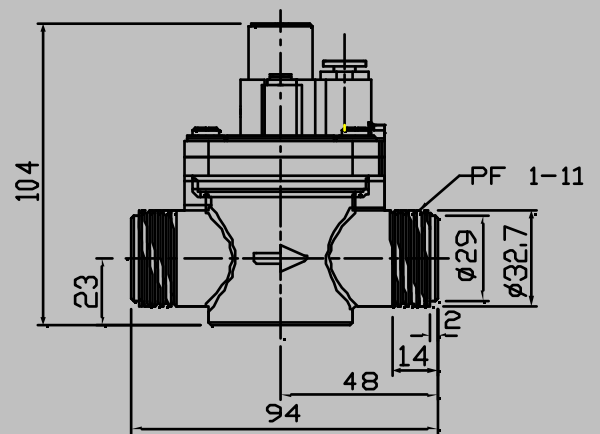
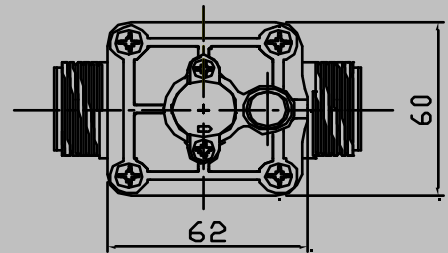
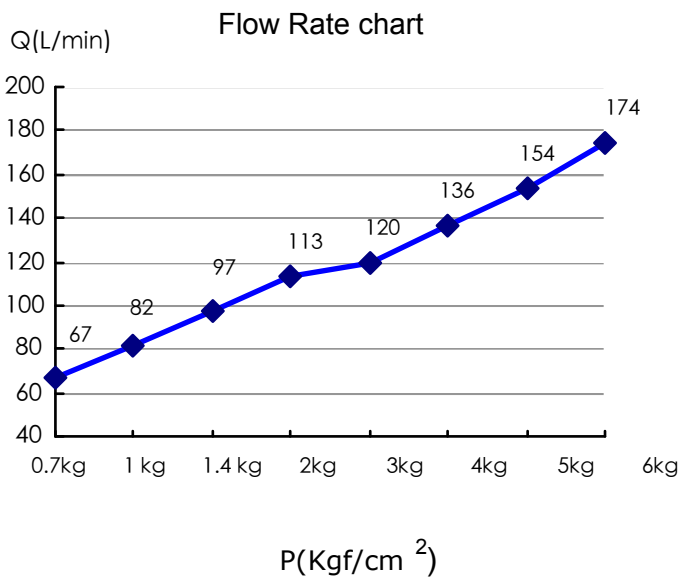


Closet Solenoid Valve



Spec. & Features

- Model : SV106AC(Continuous Type)
- Voltage Range : DC12V±10%
- Current Consumption : DC220mA(Max)
- Power Consumption : 3W (Maximum)
- Coil Resistance : 55Ω
- Flow Rate (1kgf/cm²) : 80L/min(Minimum)
- Mechanic Life : 500000 Cycles
- Pressure Stand : 17.5Kgf/cm² , 1 minute
- Water Pressure : 0.5 ~ 7.5Kgf/cm²
- Ambient Temperature Range : 4℃ ~ 50℃
- Ambient Humidity Range : 90% RH
- Outline Dimension : 94mm*60mm*104mm



Closet Solenoid Valve



Spec. & Features

Model : SV106DC(Latch Type)
 Voltage Range : DC6V±10%
 Current Consumption : DC500mA(Max)
 Power Consumption : 3W (Maximum)
 Pulse (ms) : ON 25 ms / OFF 15 ms
 Coil Resistance : 12Ω
 Flow Rate (1kgf/cm²) : 80L/min(Minimum)
 Mechanic Life : 500000 Cycles
 Pressure Stand : 17.5Kgf/cm², 1 minute
 Water Pressure : 0.5 ~ 7.5Kgf/cm²
 Ambient Temperature Range : 4℃ ~ 50℃
 Ambient Humidity Range : 90% RH
 Outline Dimension : 94mm*60mm*104mm

