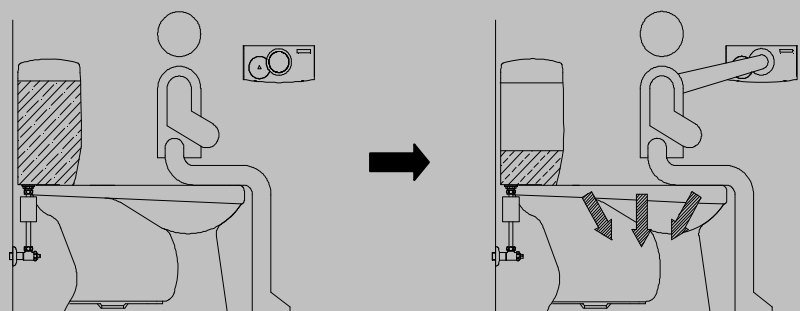
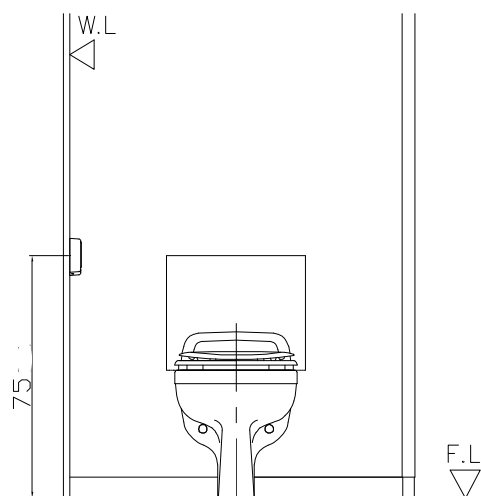
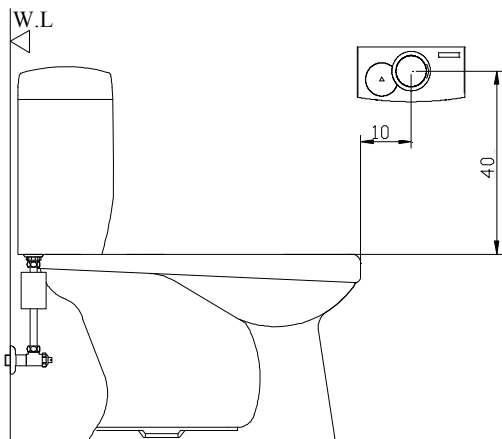


CF107 Tank Type Closet Flusher

Spec. & Features



- ◆ Infrared Sensor For Operation.
- ◆ Wireless sensor. Easy installation.
- ◆ Designed without using any electronic parts inside the tank.
It also means less problems and a longer life for every Smart Toilet.
- ◆ Can be used both for commercial and residential restrooms.
- ◆ Battery Power:
 - Sensor Unit: DC6V (AAX4)
 - Solenoid Valve Assembly: DC6V (AAX4)
- ◆ Infrared Sensor Range : 10cm
- ◆ Low Battery Indicator Light
- ◆ Remote Type: RF Wireless Remote Control (315MHz)
- ◆ Detection Time: 0.5 Sec
- ◆ Flush Time : Adjustable (1.2.3.4.5.6.7.8Sec)
- ◆ Flush Delaying Time : 2 sec
- ◆ Flush Volume: 6 ~ 9 liter (adjustable)
- ◆ Operating Water Pressure : 10 to 100 PSI
- ◆ Easy to Install and Maintain
- ◆ Mechanical Life: Over 500,000 flushes
- ◆ Warranty : 1 year



When the user's hand approach the detection zone, the sensor sends a signal to activate the solenoid valve which lifts the flapper and flushes the toilet.

Unit : cm